

PV4014FRP, PV4021FRP, PV4040FRP

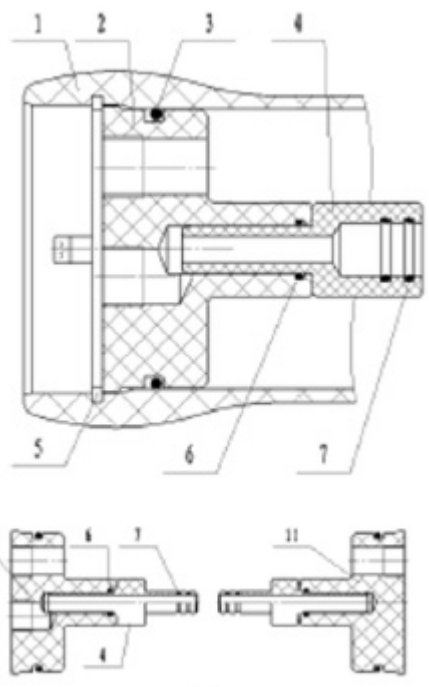
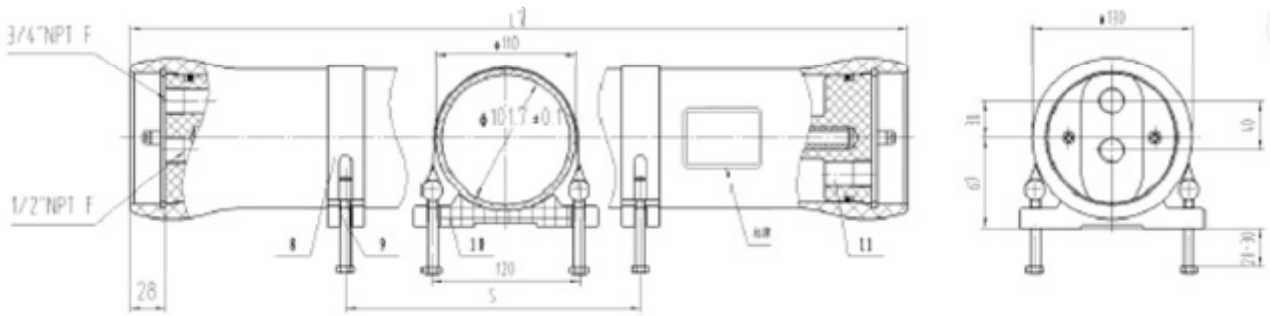
Pressure Vessel, fibreglass reinforced Plastic, 1 Membrane



Dimensions:

- PV4014FRP: 4" x 14" (approx. 103 mm x 355 mm)
- PV4021FRP: 4" x 21" (approx. 103 mm x 533 mm)
- PV4040FRP: 4" x 40" (approx. 103 mm x 1016mm)

Max. Pressure: 250 psi (ca. 17,24 bar)



11	4034.1 4034	End Plug	1	ABS	(one port)
10	4010	Saddle	2-3	NR	
9	4009	Screw	4-6	304SST	M8x60
8	4008	Strap	2-3	304SST	
7	4007.1 4007	O-Ring	4	EPDM	12.5x1.8 19x2.65
6	4061.1 4061	O-Ring	2	EPDM	14x2.65 17x2.65
5	4011	Locking Segment	4	304SST	
4	4021.1 4021	adapter	2	ABS	out inner
3	4002	O-Ring	2	EPDM	90x5.3
2	4033.1 4033	End Plug	1	ABS	(two ports)
1	4028.7-12	Shell	1	FRP	
Ref.	Part Number	Description	Qty.	Material	Remark